

Multipoint locking – automatically

MULTISAFE 853 – the synonym for protection and comfort



More security - automatically

Close the door and two hook bolts simultaneously swing into action and lock in place securing the door at multiple locking points – a force to be reckoned with.

This mechanism also helps to prevent any warping of the door.

Your fitting
Partner

FUHR

MULTISAFE 853 – automatic locking as soon as the door is closed

Equipped with central automatic trigger



MULTISAFE 853

is suitable for right or left handed doors.

The automatic trigger is located below the bolt and can be used in conjunction with standard or one-piece locking plates.

Logical, straightforward function

1.
The door is open.



2.
The door is shut.
The additional bolts extend and engage.
The door is unlocked using the lever from the inside and the cylinder from the outside.



3. The door is locked via the cylinder using the key: all bolts are extended and engaged, the lever is disabled.

You leave your home

As soon as you close the door two hook bolts extend and engage. They can be retracted via the cylinder lock. Locking the door in the usual way throws the main dead bolt and confirms that the hook bolts are fully extended.

The entire locking mechanism is unlocked in the usual way by means of the cylinder lock.

You are inside your home

During the day, you have the added assurance of multi-point locking, whenever the door is closed. From inside, the door is simply unlocked by operating the lever.

At night, lock the door in the usual way, throwing the dead bolt confirming that the hook bolts are fully in place. The lever will be disabled.

In the morning, unlock the door with the key and operate the lever to open the door.



Options and ordering requirements

dimensions:

- backsets 35/40/45/55 mm
other backset dimensions on request
- PZ centres 92 mm
- spindle 8 mm
other spindle sizes on request
- handle height 1020 mm
- lock case depth = backset plus 18 mm
- lock case width 15 mm
- hook bolt throw 20 mm
- dead bolt throw 20 mm

faceplates:

- flat faceplate 16/20/24 x 3 mm
- U-rail faceplate 24 x 6 mm

finishes:

- FUHR-Silver
- other finishes on request

other options:

- prepared for profile cylinder
- with transmission
- please refer to separate brochure for locking plates

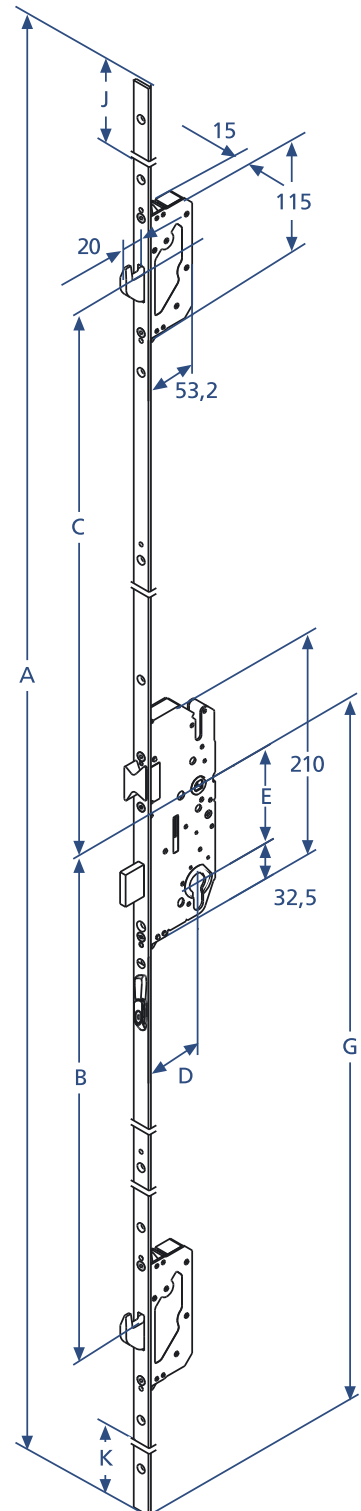
when ordering please specify:

- quantity
- type
- backset
- spindle size
- faceplate size and finish
- profile system

dimensions

A	B	C	E	G	J*	K*
2170	754	736	92	1020	300	140

* faceplate reduction



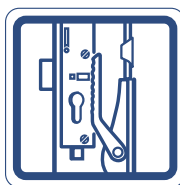
We would be delighted to send you information on innovative solutions from our extensive product range.



FUHR DK2001M



FUHR INLINE



FUHR METAL SYSTEMS

All images, product information and dimensions were correct at the time of printing. We reserve the right to implement changes, should these prove to serve the progress and development of our products. Model and product claims cannot be lodged.

